

User Manual Rollz Motion





Rollz International BV – Rollz Motion

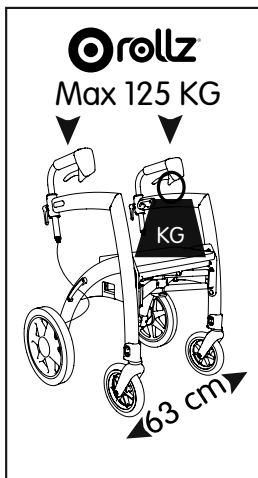
© Copyright 2012 Rollz ® International BV

Information contained in this document may be changed without prior notice. Rollz ® International BV cannot be held responsible for technical faults or defects.

The purchased product may differ from the product described in this user guide. For the most up-to-date user guide, contact Rollz International BV or go to www.rollz.com.

CE conformity

The product fulfils the requirements of the EU-Directive 93/42 EEC for medical devices. Based on the classification rules in Attachment IX of this directive the product is classified into class I. The declaration of conformity has been done under the own responsibility of Rollz International BV based on the Attachment VII of this directive.





Contents

Before you begin	48
Important information	48
Safety	48
Warning	49
Indication	49
Contra-indication	49
Check if your delivery is complete	49
Reuse	50
Use	50
What fits where?	51
Fold & unfold	52
Adjusting/posture	53
Operating the brakes	53
Walking with the Rollz Motion	54
Resting on the Rollz Motion	54
Thresholds and kerbstones	55
Bag	56
Maintenance	57
Adjusting the brakes	57
Cleaning/disinfection	58
Replacing parts	59
Accessories	59
From rollator to wheelchair	59
What fits where?	60
Attaching the Rollz wheelchair package	61
Unfolding the wheelchair package	62
Backrest Rollz wheelchair package	64
Folding the wheelchair package	64
Disengaging the wheelchair package	64
Technical specifications	65
Contact	65
Warranty	66



Before you begin

Congratulations on the purchase of your Rollz Motion. Rollz International BV has written this manual so that you can use the Rollz Motion in the safest and most convenient way. Please have your purchase registered on www.rollz.com.

We hope you will enjoy the use of your Rollz Motion.

Important information

- Read these directions carefully before you use the product and keep them in a safe place for future reference. Do not compromise your safety and that of others around you by the incorrect use of this product.
- This manual was written for the Rollz Motion.
- You will find the serial and article numbers on the product sticker of your Rollz Motion. Which is located on the seat under the cushion.
- This product has been TÜV certified.
- Only use original or Rollz International BV approved parts in the event of replacement or repairs.
- Use original Rollz accessories only.
- The warranty will be invalid after the product has been damaged through overloading, incorrectly folding in or out, the use of parts which are not approved by Rollz International, or the use of accessories other than Rollz accessories. For the full warranty conditions, go to www.rollz.com.
- The Rollz Motion has been patented and the brand & model are protected.
- The Rollz Motion is made for people weighing up to 125 kg who are 160-190 cm tall.
- Colours of the Rollz Motion parts may fade slightly when exposed to sunlight.
- Do not expose the product to extreme temperatures.

Safety

- The Rollz Motion is to be used for supporting/transporting one person only.
- Always use the handles in the right position. Read the chapter on adjustment/posture (page 35) for the correct positions.
- Adjust the brakes in a timely manner to prevent the loss of braking power.



Warning

- The Rollz Motion has been developed for the convenient control of the various operations. However, it is essential to make sure that the user has the physical ability to independently perform all the operations. If not, please call in the assistance of somebody else. Rollz International suggests you check this on a regular basis.
- Keep the Rollz Motion away from open flames and other heat sources, such as electrical heaters or gas heaters.
- Do not use the Rollz Motion if any part has been broken or cracked, or if any part is missing.
- Make sure that all clasps are locked before use.

Indication

The Rollz Motion provides support while walking for people with limited mobility, both in- and outside the house. The comfortable seatcushion allows you to take a rest.

Contra-indication

The Rollz Motion is not suitable for people with:

- perception disorders
- seating problems
- severe balance disorders

Check if your delivery is complete

The Rollz Motion comes packed and ready for use. Check that all parts have been supplied. The Rollz Motion comes complete with:

- 1 bag
- 1 user guide
- 1 seat cushion
- 1 wheelchair package
- 2 footrests
- 2 armrests

WARNING!

Keep the plastic packaging materials away from children. Children may play with it and suffocate. Discard the packaging materials without delay.



Reuse

- The Rollz Motion is suitable for reuse.
- For safe handling, pass all technical documentation on to the new user.
- Before passing the Rollz Motion on to a new user, it should be cleaned, disinfected and checked by the dealer for damage.

Use

The Rollz Motion comes complete and ready for use. However, the Rollz Motion should be adjusted to meet your personal preferences before use. Carefully read all the points in this chapter before you put the Rollz Motion into operation. This chapter contains the following points:

- Fold & unfolding
- Adjusting and posture
- Operating the brakes
- Walking with the Rollz Motion
- Resting on the Rollz Motion
- Thresholds and kerbstones
- Bag
- Maintenance
- Accessories



What fits where?

Figure 1:

- 01. Handles
- 02. Frame
- 03. Foam-filled rear wheels
- 04. Red button
- 05. Swivel front wheels
- 06. Front

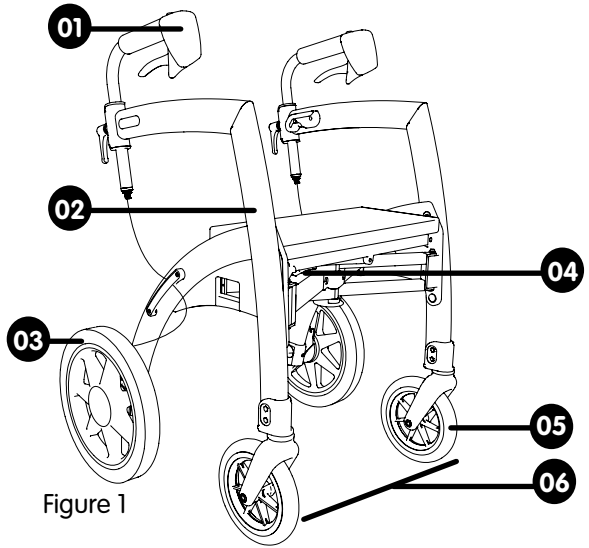


Figure 1

Figure 2:

- 07. Handbrakes
- 08. Adjustment knobs
- 09. Adjusting screws
- 10. Threshold aid
- 11. Parking handles
- 12. Height setting
- 13. Cushion

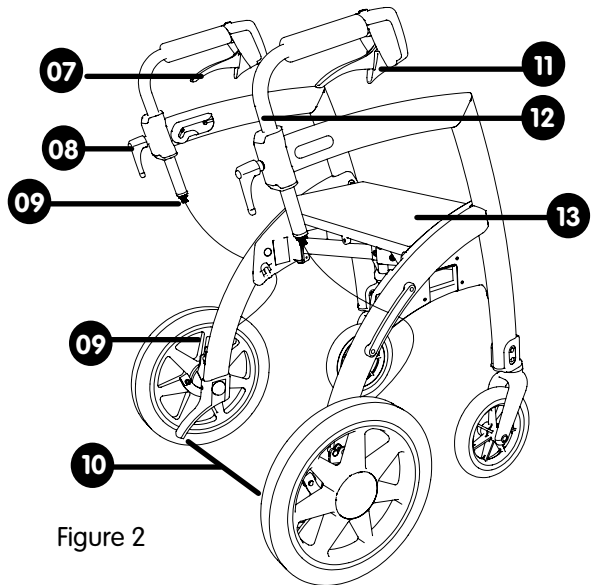


Figure 2



Folding & unfolding in (Fig. 3)

Unfolding the Rollz Motion

- Pull the sides of the Rollz Motion apart until almost completely unfolded.
- Push the seat down until it clicks into place. *Important: the seat is not secured until you have clearly heard it, click.'*

Folding in the Rollz Motion

- Push the red button under the seat and slightly lift the seat up.
- Push the sides of the Rollz Motion together until completely folded.

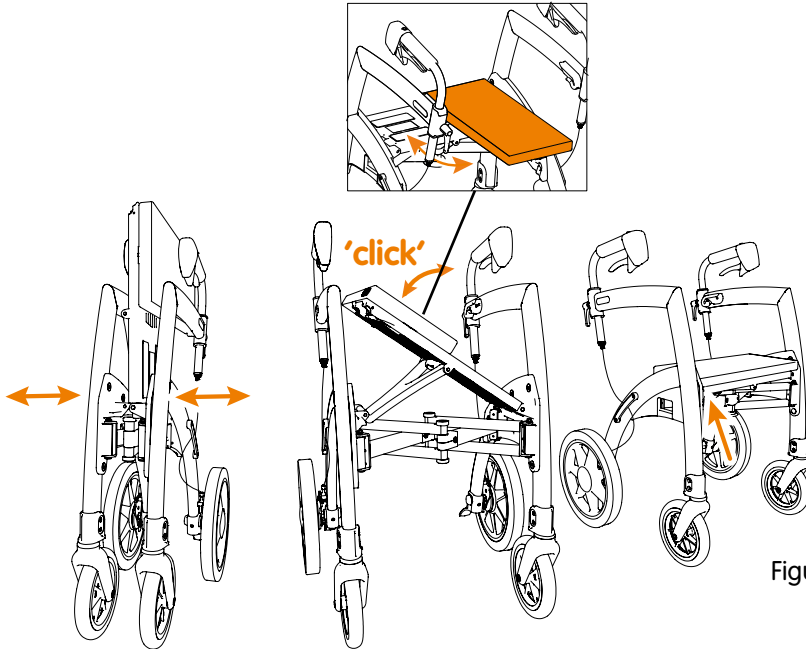


Figure 3

PLEASE NOTE: Make sure the bag is empty before you fold the Rollz Motion.

PLEASE NOTE: Make sure the seat is secured before you start using the Rollz Motion.



Adjusting/posture

All people are different and have their own requirements when it comes to using the product. The Rollz Motion can be easily adapted to suit individual needs. Correct adjustment can be crucial to get the most out of the Rollz Motion.

- Turn the adjustment knobs for the handles anti-clockwise and slide the handles up or down for the height setting that suits you best.
- To determine the correct height, stand between the handles of the Rollz Motion and let your arms hang loosely. The handles should be level with your wrists (Fig. 4).
- Make sure the handles are positioned in a straight line above the sides of the Rollz Motion and are pointing forward.
- Turn the adjustment knobs clockwise to tighten. Check that the handles are secured in the correct position.

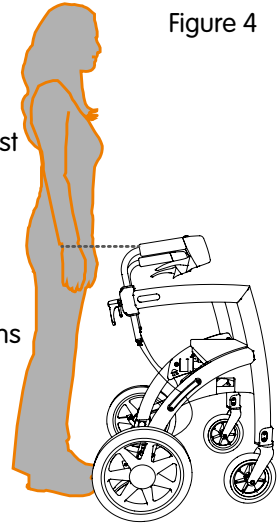


Figure 4

PLEASE NOTE: Always set both handles at the same height to maintain stability.

Operating the brakes

The Rollz Motion has an advanced braking system, which is easy to control. The brakes can produce variable braking power while the Rollz Motion is being used. You can also block the brakes when parking the Rollz Motion.

- Squeeze the handbrakes to increase the braking power (Fig. 5).
- To put the unit in the parking position, squeeze the handbrakes and the parking handles simultaneously, then release the brakes (Fig 6).
- To take the unit out of the parking position, once again squeeze the handbrakes and release the brakes.

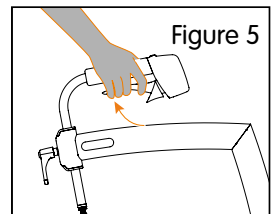


Figure 5

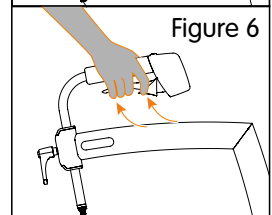


Figure 6



Walking with the Rollz Motion

The ergonomic design of the Rollz Motion allows you to walk in an erect, stable and comfortable manner. For the best results, be absolutely sure that the unit has been adjusted to suit your personal needs.

- a. The handles must be set at the correct height. See: Adjusting/posture.
- b. While you are walking, place your body between the handles and lean on the Rollz Motion.

Resting on the Rollz Motion

The Rollz Motion is designed to assist people when walking. It is also possible to sit on the Rollz Motion whenever you want to take a break.

- a. Put the Rollz Motion in the park modus (see: brake operation).
- b. You can now sit on the seat. Always make sure the Rollz Motion is in the park modus. The Rollz Motion as rollator is not suitable for walking while you are seated.

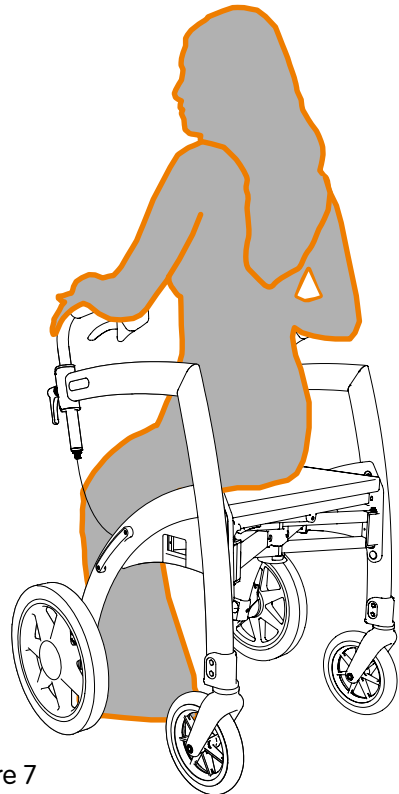


Figure 7



Thresholds and kerbstones

Rollz products are made to make life easier for the user. Rollz Motion has designed a threshold aid to easily get up to thresholds.

- a. Move the front wheels of the Rollz Motion against the threshold or kerbstone.
- b. Using your right foot, push the threshold aid down. At the same time pull the Rollz Motion backwards by the handgrips. The front wheels of the Rollz Motion will now come off the ground. Push the Rollz Motion forward until the front wheels are clearly touching the top of the threshold or kerbstone (Fig. 10).
- c. Lower the front wheels back to the ground and push the rear wheels forward until they are clearly touching the top of the threshold or kerbstone.

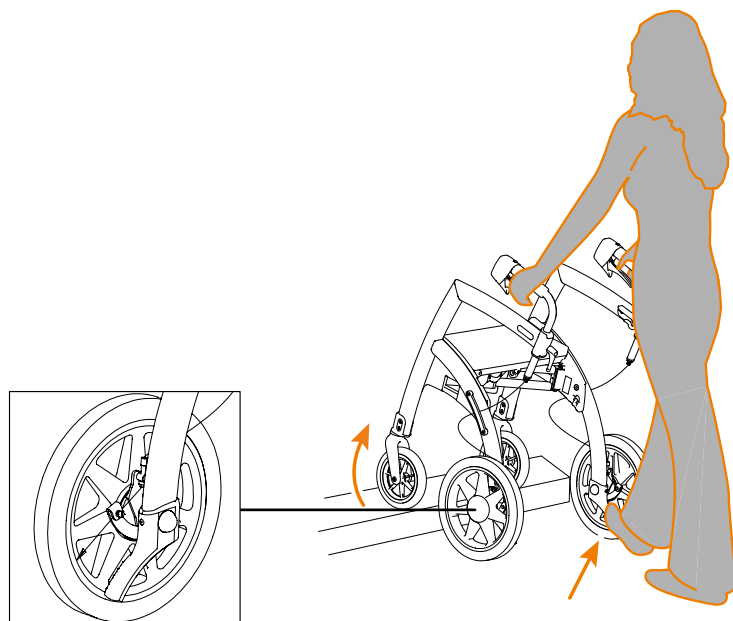


Figure 8



Bag

The use of the bag saves you from heavy lifting. You can easily attach or remove the bag.

Attaching the bag.

- Place the bag with the narrow mounting loops toward the rear of the Rollz Motion (Fig.9).
- Using the Velcro, attach the two wide mounting loops to the frame (Fig. 10).
- Connect the narrow mounting loops to the hooks on the frame (Fig. 10).

Using the bag.

- Access the bag from the back of the Rollz Motion.
- The empty bag can be left attached while retracting the frame.

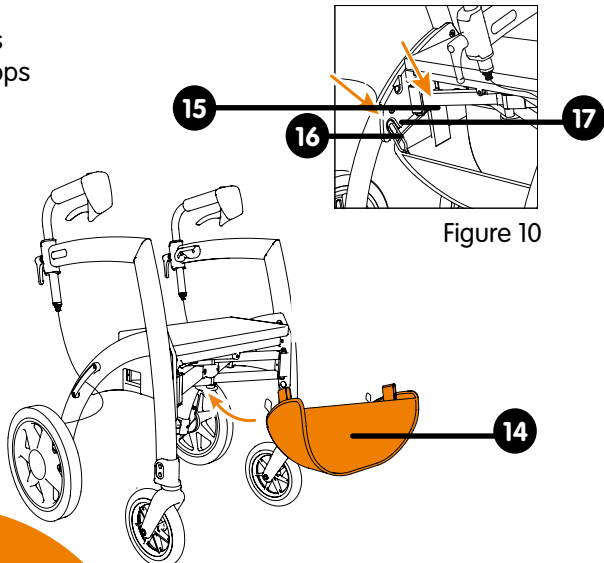
Removing the bag.

- Unhook the wide mounting loops from the frame by pulling off the Velcro.
- Unhook the narrow mounting loops and remove the bag.

PLEASE NOTE: The bag can hold no more than 10 kg of goods. Do not overload it.

14. Bag
15. Wide mounting loops
16. Narrow mounting loops
17. Hooks

Figure 9





Maintenance

Regular maintenance will increase the life and safety of your Rollz Motion.

Adjusting the brakes

Repeated use may wear out the brakes of the Rollz Motion. The brakes may have to be adjusted. The correct adjustment of the brakes will prevent potential problems and gets you the best use out of your Rollz Motion. There are two ways to adjust the brakes:

1. Adjustment below (Figure 11)

- After squeezing the handbrakes right in, the Rollz Motion should be unable to move. After releasing the handbrakes, the Rollz Motion should be able to move freely.
- Turn the adjusting screw below clockwise or anti-clockwise to achieve the above properties.

2. Adjustment above (Figure 12)

- Unscrew the locking disc and then turn the adjusting screw to the required position.
- When the screw is in the required position, you must tighten the locking disc again.

PLEASE NOTE: Stop using the Rollz Motion and contact your supplier if the brakes fail to operate adequately after you have performed the above-mentioned steps.

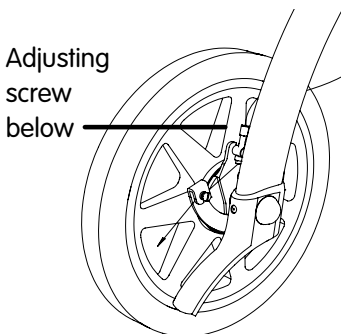


Figure 11

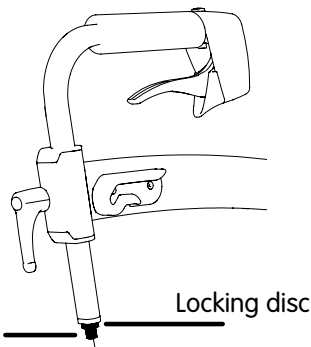


Figure 12

Adjusting
screw
above



Cleaning/ disinfection

Frequent cleaning of the Rollz Motion is recommended to keep it in optimal condition. Before passing the Rollz Motion on to a new user, it has to be disinfected.

Clean the frame and handgrips using lukewarm water and a cloth. For more resistant stains you can use a mild detergent. Avoid excessive water contact with moving parts, such as axles and hinge points. Thoroughly dry your Rollz Motion after cleaning.

The wheels can be cleaned using lukewarm water and a brush with plastic bristles (Attention: Do not use a wire brush).

The cover of the seat cushion is washable; always remove the inner cushion before washing.

Removing the cover before washing.

- a. Pull the Velcro of the cover away from the seat.
- b. Unzip the seat and remove the inner cushion. The cover is now ready for washing.

PLEASE NOTE: Do not:

- Wash the cover in water hotter than 30°C
- Bleach the cover
- Iron the cover
- Dry-clean the cover
- Run the cover in a clothes dryer

What fits where?

18. Cushion
19. Velcro
20. Zip

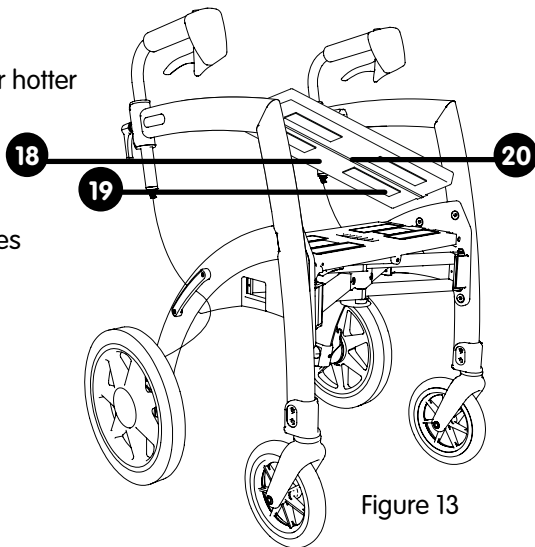


Figure 13



Putting the cover back on after washing.

- a. Put the inner cushion back and zip up the seat.
- b. Put the cover and inner cushion back to the seat and attach it, using the Velcro.

Replacing parts

Some parts, like handles and the seat cushion, are subject to wear and tear and must be replaced in a timely manner. Please contact your supplier for the replacement of parts.

PLEASE NOTE: Only use original or Rollz International BV approved parts.

Accessories

Get more out of your Rollz Motion by using accessories. Only use original or Rollz International BV approved accessories. New accessories come onto the market from time to time. For an update, check our web site on www.rollz.com or ask your supplier.

From rollator to wheelchair

The Rollz wheelchair package has been designed for those who like to take a break during their walk. The Rollz Motion turns from a rollator into a wheelchair in less than a minute, and just as easy back into a rollator.

The Rollz wheelchair function is meant to fit one person only. The product may sustain damage if used by several persons at once.

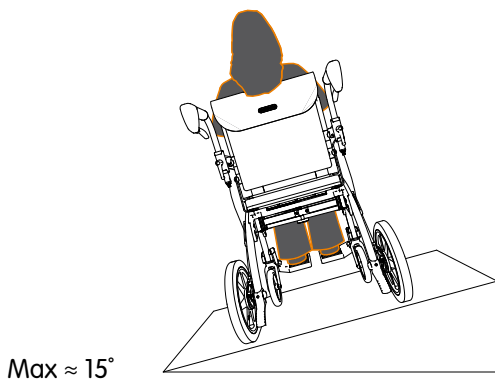
The Rollz wheelchair function may carry no more than 125 kg.

The Rollz wheelchair function is very easy to use. The wheelchair bag can be attached to the Rollz Motion before you start. To take a break, all you have to do is fold out the pack, put the footrests in place and turn the handles around.

PLEASE NOTE: the Rollz wheelchair is not suitable for private or public transportation by taxi, bus or other vehicles, while seated inside the wheelchair.

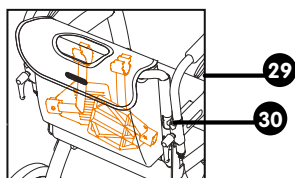
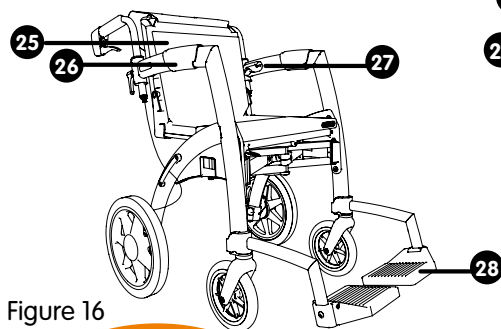
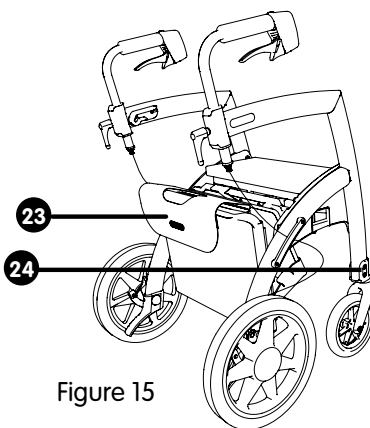
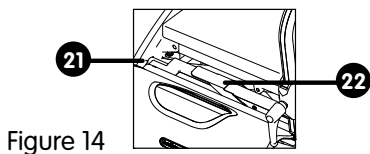


Maximum sideward slope



What fits where

- 21. Guide rails against the seat
- 22. Red handle
- 23. Wheelchair bag
- 24. Footrest holders
- 25. Backrest
- 26. Armrests
- 27. Guide rails on the frame
- 28. Footrests
- 29. Wheelchair function / package
- 30. Locking bolts





Attaching the Rollz wheelchair pack

- Take the Rollz wheelchair package and hold the wheelchair bag towards you (Fig. 18).
- Use your other hand to pull the red handle up and place the Rollz wheelchair package in the guide rails against the seat (Fig.20).
- Push the red handle down without any force. You can now simply walk behind the Rollz Motion (Fig. 19 and 21).

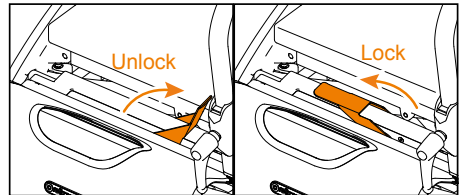


Figure 20

Figure 21

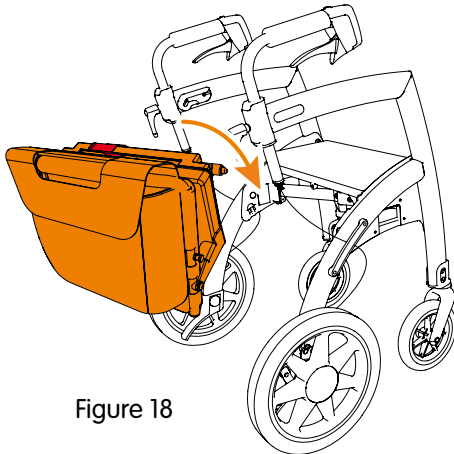


Figure 18

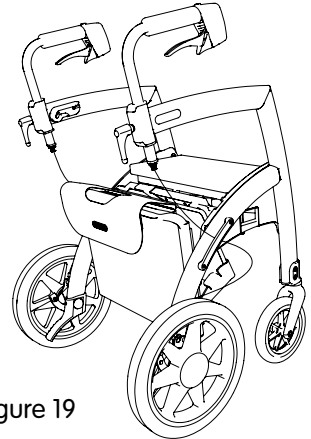


Figure 19

PLEASE NOTE: If the red handle is not going down without exerting force, take the Rollz wheelchair pack back out of the guide rails and try again. Do not put any pressure, as this may damage the Rollz Motion. Please contact your supplier if you have still no luck after several attempts.



Unfolding the wheelchair package

Attach the wheelchair bag to the Rollz Motion before you leave. If you want to take a break, just unfold the wheelchair package and click it into the frame.

- a. Take the handle of the wheelchair package and pull up the backrest to the maximum setting and towards the front until halfway up the frame (Fig. 21). Then pull the backrest back until the locking bolts click into the guide rails on the frame (Fig. 24).
- b. Turn the adjustment knobs for the handles anti-clockwise and turn the handles around via the outside, until they are pointing towards the back. Adjust the height for the person pushing the wheelchair and turn the adjustment knobs clockwise to tighten (Fig. 25). (See adjusting/posture).
- c. The footrests are located in the wheelchair bag. Place the footrests at the front of the Rollz Motion into the footrest holders by pushing them down from the top of the footrest holders (Fig. 26).
- d. The armrests are located inside the wheelchair bag. Place them around the frame on the spot where your arms rest. Secure them by using the Velcro on the bottom of the armrests (Fig. 27).

PLEASE NOTE: If the locking bolts do not smoothly glide into the guide rails on the frame, push the backrest back to the front until halfway up the frame and try again. Do not put any pressure, as this may damage the Rollz wheelchair function. Please contact your supplier if it does not work after several attempts.

PLEASE NOTE: Do not exert any force if the footrests fail to smoothly glide into the footrest holders. Pull them up and try again. Please contact your supplier if it does not work after several attempts.

PLEASE NOTE: Before you sit down, always check that the locking bolts are correctly secured in the guide rails. Do not sit down if one of the locking bolts is not secured. Instead, try again to fit the seat.

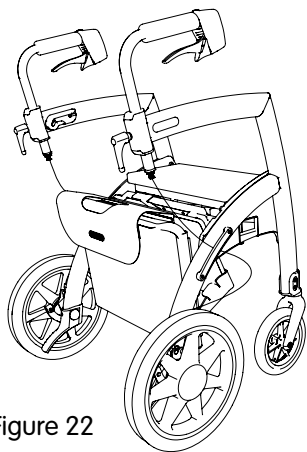


Figure 22

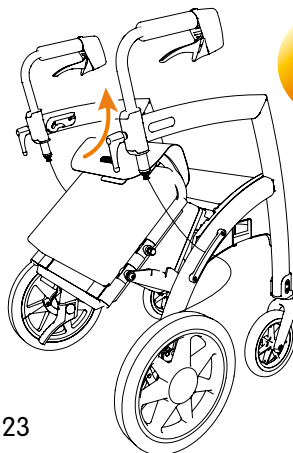


Figure 23

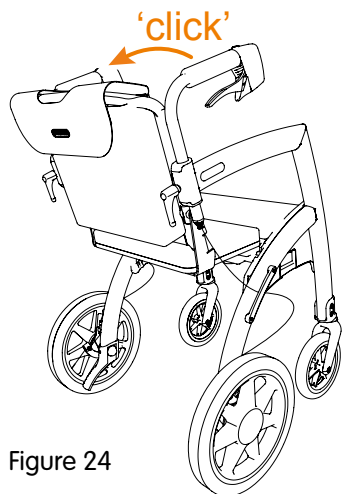


Figure 24

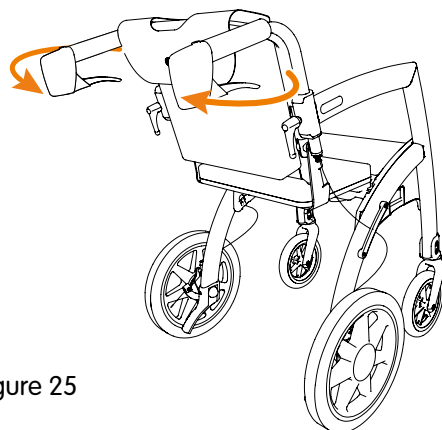


Figure 25

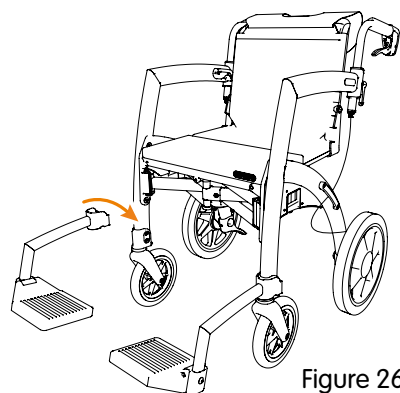


Figure 26

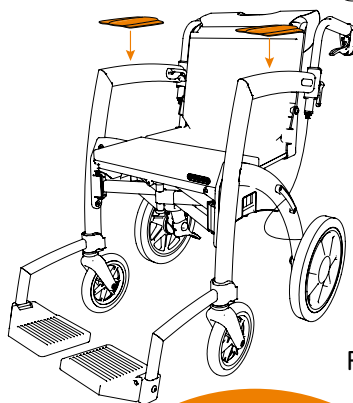


Figure 27



Backrest Rollz wheelchair

In order to ensure maximum comfort, it is important to adjust the straps in the back of the wheelchair package. To do so please follow the next three steps:

- a. Remove the footrests from the wheelchair bag and make sure the back of Rollz wheelchair package is extracted (see: page 46).
- b. Loosen the Velcro at the back of the wheelchair package by pulling the bag upwards.
- c. Adjust the straps by loosening the Velcro. Adjust the straps in a way that allows the pelvis of the user to be upright and makes sure the user's back is properly supported.

Folding the wheelchair package

- a. Remove the armrests and place them in the wheelchair bag.
- b. Slide the footrests up until released from the footrest holders. Put them back into the luggage bag for the Rollz wheelchair package.
- c. Turn the adjustment knobs for the handles anti-clockwise and turn the handles around via the outside, until they are pointing towards the front. Adjust the height for yourself and turn the adjustment knobs clockwise to tighten (See: adjusting/posture).
- d. Hold the handle of the wheelchair package and push the backrest forward until halfway up the frame. Next, push the backrest backward and down until it fits against the seat.

After folding away the Rollz wheelchair function, you can leave it on the Rollz Motion while you walk. In that case, you will walk behind the Rollz Motion.

Disengaging the Rollz wheelchair package

- a. Pull the red handle up without any force.
- b. Hold the handle of the Rollz wheelchair package and pull it up without any force.
- c. Then push the red handle down again.



Technical specifications

- Maximum weight of the user: 125 kg
- Minimum and maximum physical height of the user: 160 - 190 cm

- Net weight of the product
 - o Rollz Motion: 10,6 kg
 - o Rollz wheelchair pack: 3,7 kg

- Dimensions:
 - o Extended -> HxLxW: 86-102 x 63 x 63 cm
 - o Retracted -> HxLxW: 86-102 x 63 x 29 cm
 - o Seat width Rollz wheelchair: 420 mm
 - o Seat depth Rollz wheelchair: 400 mm

Contact

Rollz International is always keen to further improve its products, we are interested in your opinion. This could be about the use of the product, the manuals or any other aspects. Mail to: info@rollz.com.

Or contact Rollz International for any other questions or comments you may have:

Rollz International BV
Pedro de Medinalaan 63
1086 XP Amsterdam
The Netherlands
info@rollz.com



Warranty

Rollz International BV, with its registered office in Amsterdam (hereafter called „Rollz“), in its capacity of manufacturer, provides a warranty for its product called „Rollz Motion“ (hereafter called „the product“), on the following conditions:

1. The warranty period is 24 months from the purchase date. There will be no extension of the warranty period, not even in the case of repairs.
2. The warranty gives the buyer the right of repairs; explicitly not the exchange or return of a product.
3. At its own expense and risk, Rollz will take care of transport from and to the shop where you purchased the product (hereafter called „the supplier“), but only in the event of repairs covered under warranty.
4. To make a claim under warranty, the faulty product must be returned to Rollz together with:
 - a copy of the proof of purchase, showing the purchase date;
 - a clear description of the complaints.
5. The warranty is not transferable, therefore only the first owner can lodge a claim.
6. The warranty does not prejudice other rights you may have by law, e.g. the right to hold the supplier responsible for any defects.

Warranty claims are not accepted in the following situations:

- After you carried out any changes or repairs yourself (or after you had changes or repairs carried out by others), without the prior written consent from Rollz or the supplier.
- If the defect is the result of negligence, or an accident, and/or a maintenance procedure other than advised in the manual.
- Damage or the removal of the serial number.
- Damage to the product as a result of normal wear and tear.

Important.

The warranty period for the product is 24 months from the purchase date. Please contact your supplier in the event of a defective product. Please register your product online by filling out the form on www.rollz.com. Make sure to enter the serial number of the Rollz Motion. This number is shown on a sticker, on the seat under the cushion.